

DESIGN.

No. 30,349.

Patented Mar. 14, 1899.

O. W. SCHAUM.  
LATHE PLATE.

(Application filed Feb. 4, 1899.)

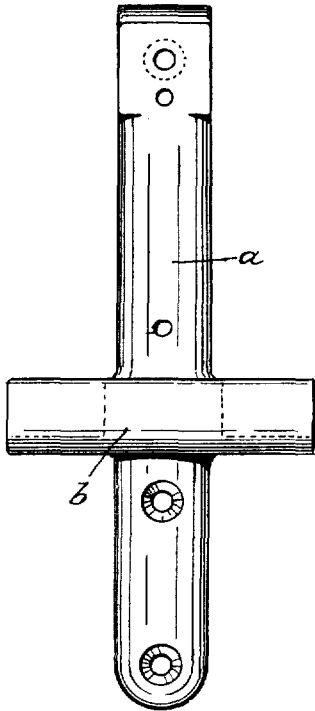


Fig. 1.

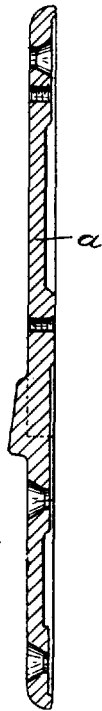


Fig. 3.

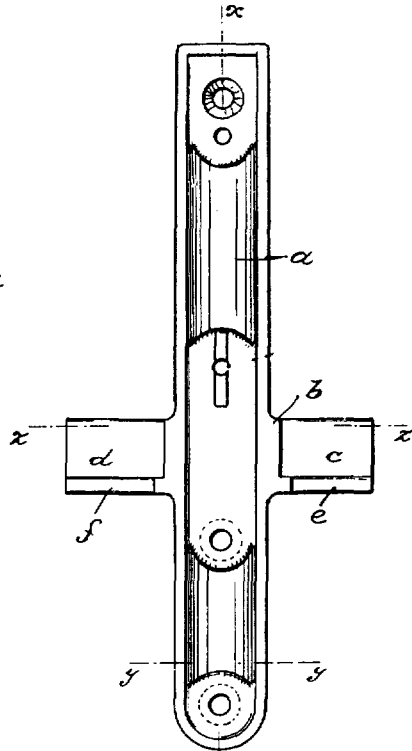


Fig. 2.



Fig. 4.

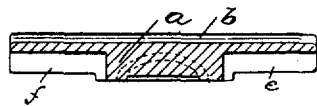


Fig. 5.

WITNESSES:

Wm. S. Bell.  
Robert J. Pollitz

INVENTOR

Otto W. Schaum,  
BY  
Garner & Stearns  
ATTORNEYS

# UNITED STATES PATENT OFFICE.

OTTO W. SCHAUM, OF PHILADELPHIA, PENNSYLVANIA.

## DESIGN FOR A LATHE-PLATE.

SPECIFICATION forming part of Design No. 30,349, dated March 14, 1899.

Application filed February 4, 1899. Serial No. 704,583. Term of patent 14 years.

*To all whom it may concern:*

Be it known that I, OTTO W. SCHAUM, a citizen of the United States, residing at Philadelphia, in the State of Pennsylvania, have invented and produced a new and original Design for Lathe-Plates for Looms, of which the following is a specification, reference being had to the accompanying drawings, forming a part thereof.

10 This invention consists in a design for a lathe-plate—that is to say, a device commonly known as “lathe-plates”—employed for securely sustaining a shuttle-block in position upon the batten of a loom and for affording  
15 with said shuttle-block supports for the reeds.

The design is clearly illustrated in the accompanying drawings, wherein—

20 Figures 1 and 2 are front and rear views, respectively. Fig. 3 is a vertical sectional view on the line  $xx$  in Fig. 2; and Figs. 4 and 5 are transverse sectional views on the lines  $yy$  and  $zz$ , respectively, in Fig. 2.

In said drawings,  $a$  designates a vertical bar, and  $b$  designates a horizontal bar, the lat-

ter intersecting the former at right angles, 25 substantially midway the length thereof. Each side of the vertical bar the horizontal bar  $b$  is formed on its rear face with a recess  $c$   $d$ , which extends from the juncture of said bars to the extremity of the horizontal bar. 30 The lower edge of the bar  $b$  has a rearwardly-projecting rib  $ef$ , which likewise extends from the juncture of said bars to the extremity of the horizontal bar and forms with the corresponding recess  $c$  or  $d$  a socket. 35

Having thus fully described my invention, what I claim as new, and desire to secure by Letters Patent, is—

The design for a lathe-plate substantially as herein shown and described. 40

In testimony that I claim the foregoing I have hereunto set my hand this 31st day of January, 1899.

OTTO W. SCHAUM.

Witnesses:

ALFRED ROSENSTEIN,  
MAX HERZBERG.